

## FIBER OPTIC DOME SPLICE CLOSURE



### FEATURES

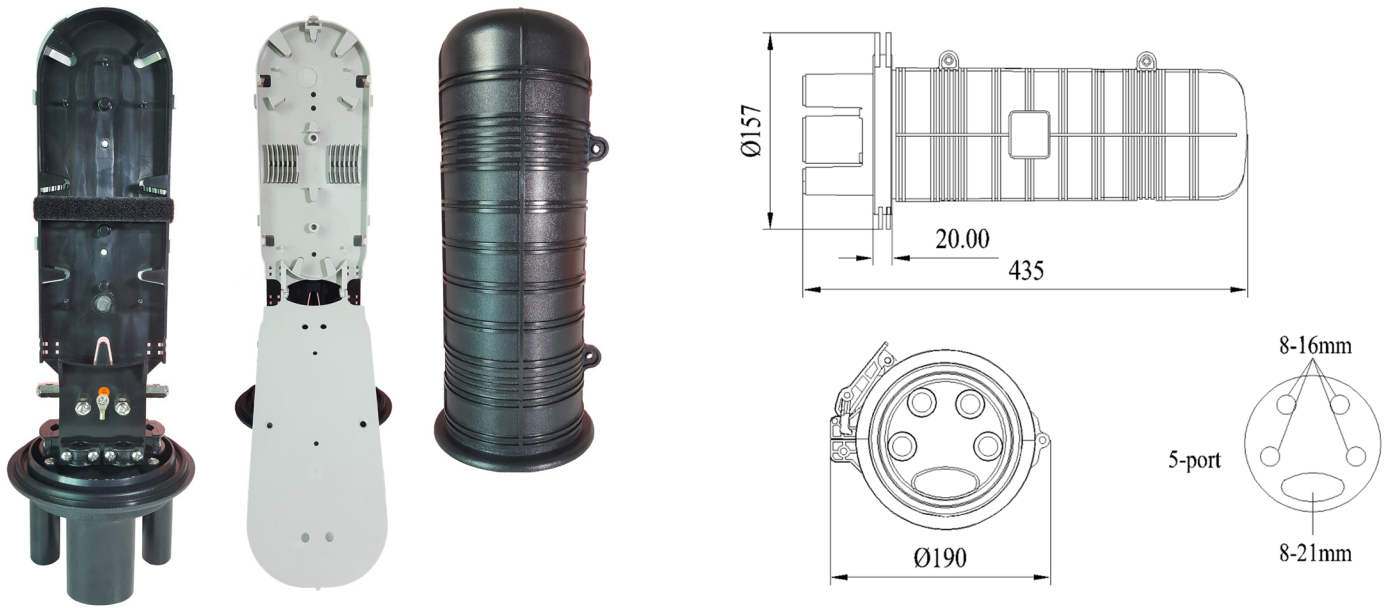
- The closure adopts heat shrinkable sealing structure.
- It adopts engineering PC plastic with high-strength to make the closure has longer life time and excellent sealing performance.
- The patented sealing structure keep good sealing performance after re-entry and re-using.
- The bending radius of FOSTs meet the international standard.
- It could save the installation time and improve work efficiently

### APPLICATION

- Suitable for bunchy fibers
- Aerial, underground, wall-mounting, hand hole-mounting pole-mounting and duct-mounting

### TECHNICAL SPECIFICATIONS

Size	Height 435mm Ring Diameter 190mm
Material	Closure : PP Splice Tray: ABS
Ports	5
Oval Port	1 Nos $\phi 8$ - $\phi 21$
Round Port	4 Nos $\phi 8$ - $\phi 16$
Number of Trays	4
Tray Capacity	12F -24F
Closure Capacity	24F, 48F, 72F, 96F
IP Rating	IP 68



**STANDARD ACCESSORIES**

Earthing wire	1 pc	Desiccant	2 bags
Nylon tie	1 set	Insulation tape	1 roll
Labeling paper	1 pc	Aluminum-foil paper	1 pc
Heat shrinkable protective sleeve	1 bag	Abrasive cloth	1 pc

**OPTIONAL ACCESSORIES**

Pressure testing valve	1 pc	Pole mounting bracket	1 set
Earthing deriving device	1 pc	Metal hoop	1 set
Buffer tube for bunchy fiber	1 roll	Buffer tube for ribbon fiber	1 roll
Big heat shrinkable fixing sleeve	1 pc	Aerial mounting bracket	1 set
Branching clip	1 pc	Buffer tube for ribbon fiber	1 roll

**PART NUMBER GENERATOR**

INTELCD1424	Fiber Optic 24 Fiber Dome Splice Closure
INTELCD1448	Fiber Optic 48 Fiber Dome Splice Closure
INTELCD1472	Fiber Optic 72 Fiber Dome Splice Closure
INTELCD1496	Fiber Optic 96 Fiber Dome Splice Closure